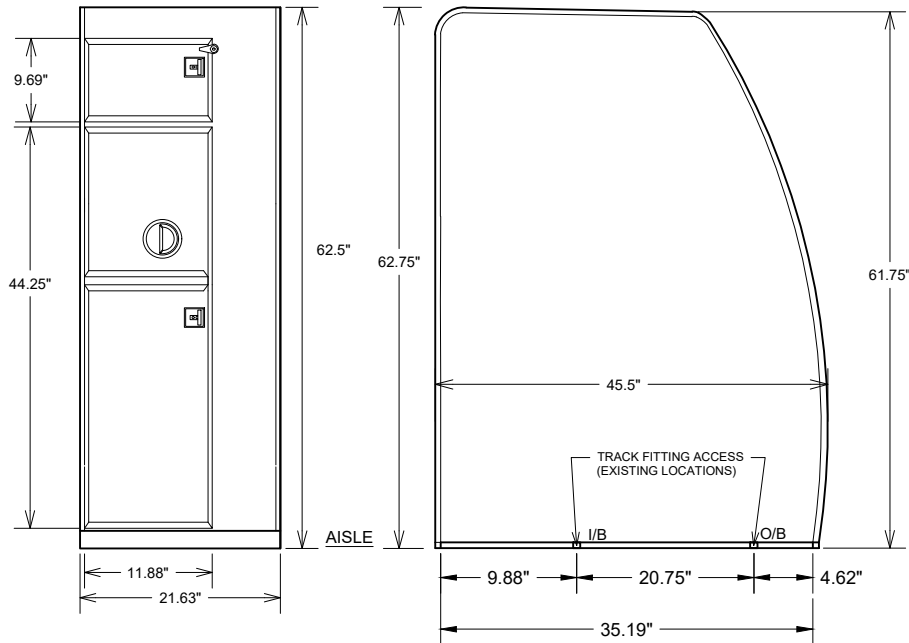


CLOSET MODIFICATION

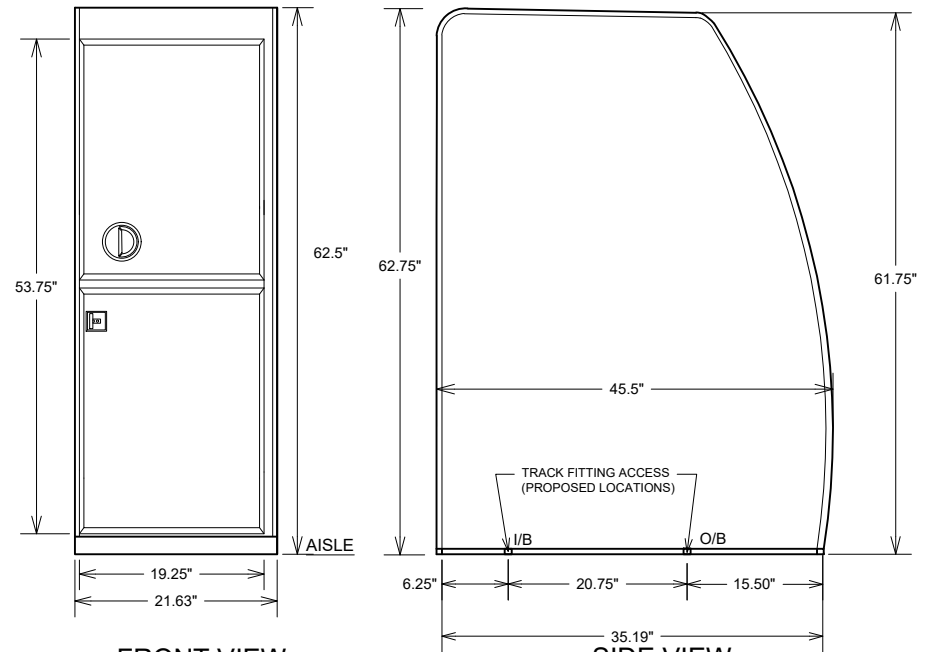
*PROPERTY OF AIRO INDUSTRIES CO.



FRONT VIEW

SIDE VIEW

" WAS "



FRONT VIEW

SIDE VIEW

" IS "

NOTES:

1. PAINT INSIDE PER BOEING SPEC. COLOR: BAC870 BEIGE
2. USE LAMINATE P/N: S017725 (C.F.M.)
3. CHANGE EXISTING DOORS INTO A SINGLE DOOR.
4. RELOCATE INBOARD (I/B) AND OUTBOARD (O/B) TRACK FITTING LOCATIONS TO BE INSTALLED ON B737 AIRCRAFT

1. UNLESS OTHERWISE SPECIFIED DIMENSIONS ARE IN INCHES. .XX = ±.030 .XXX = ±.010 ANGLES = ± 1/2	DRAWN	DATE
	CHECK	DATE
2. PART TO BE FREE OF BURRS AND SHARP EDGES 3. MARK PART PER ML-STD-130 4. MACHINED SURFACE FINISHES 126 RMS MAX.	ENGRG	DATE
		5/15/2024

THIS DOCUMENT IS THE PROPERTY OF AIRO INDUSTRIES CO., AND IS PROVIDED ON THE EXPRESSED CONDITION THAT IT IS NOT TO BE DISCLOSED REPRODUCED IN WHOLE OR IN PART, OR USED FOR MANUFACTURE BY ANYONE OTHER THAN AIRO INDUSTRIES WITHOUT ITS WRITTEN CONSENT. AND THAT NO RIGHTS PERMITTED TO DISCLOSED OR SO USE ANY INFORMATION CONTAINED IN THIS DOCUMENT.



429 JESSIE STREET, SAN FERNANDO, CA 91340

CLOSET MODIFICATION

SIZE A	DWG NO. AC723MOD	REV. N/C
SCALE NONE	SHEET 1 OF 1	