

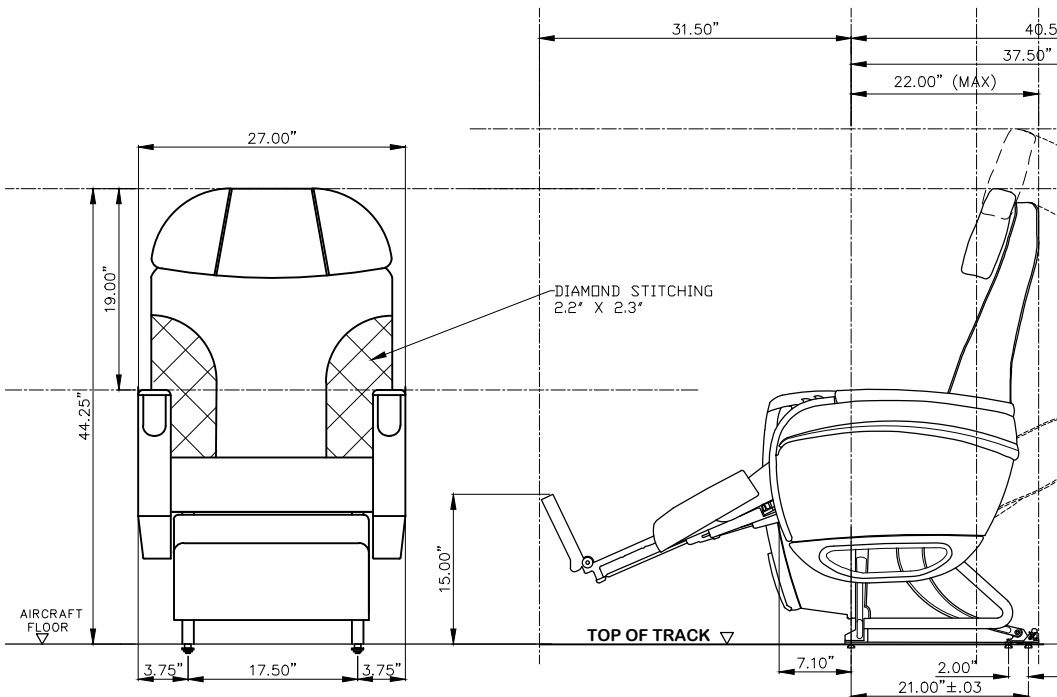
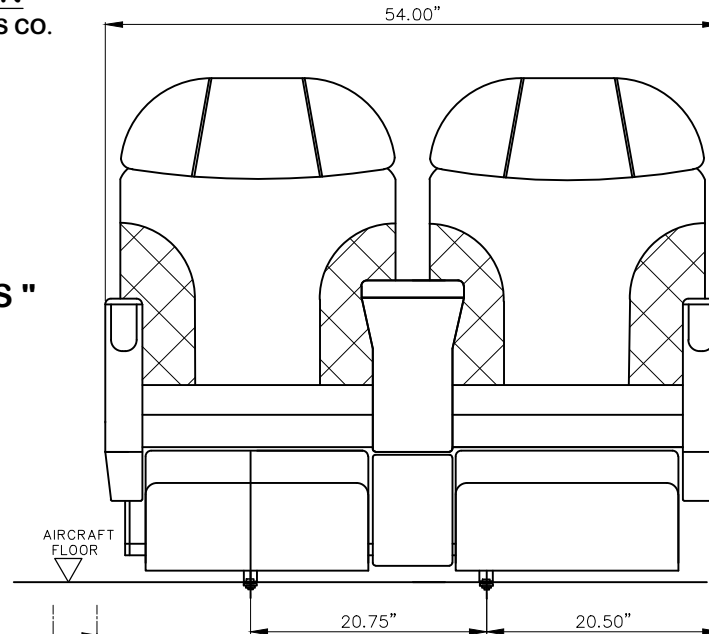
# SEAT MODIFICATION

\*PROPERTY OF AIRO INDUSTRIES CO.

## NOTES:

1. REMOVED ONE OF THE SEAT.
2. CUT THE FRONT & REAR TUBE TO 22".
3. REMOVED CENTER CONSOLE & RE-INSTALL THE RIGHT HAND ENDBAY ASSY.
4. REDUCED LEG SPACING FROM 20.75" TO 17.50".

" WAS "



FRONT ELEVATION DETAIL

SIDE ELEVATION DETAIL

" IS "

1. UNLESS OTHERWISE SPECIFIED DIMENSIONS ARE IN INCHES: .XX = ±.030 .XXX = ±.010 ANGLES = ± 1/2° 2. PART TO BE FREE OF BURRS AND SHARP EDGES 3. MARK PART PER ML-STD-130 4. MACHINED SURFACE FINISHES 126 RMS MAX.	DRAWN	DATE
	CHECK	DATE
	ENGRG	DATE
		06/20/2023

THIS DOCUMENT IS THE PROPERTY OF AIRO INDUSTRIES CO., AND IS PROVIDED ON THE EXPRESSED CONDITION THAT IT IS NOT TO BE DISCLOSED REPRODUCED IN WHOLE OR IN PART, OR USED FOR MANUFACTURE BY ANYONE OTHER THAN AIRO INDUSTRIES WITHOUT ITS WRITTEN CONSENT. AND THAT NO RIGHTS PERMITTED TO DISCLOSED OR SO USE ANY INFORMATION CONTAINED IN THIS DOCUMENT.



429 JESSIE STREET, SAN FERNANDO, CA 91340

## F/C SEAT MODIFICATION

SIZE	DWG NO.	REV.
A	AC960101S	N/C
SCALE NONE	SHEET 1 OF 1	