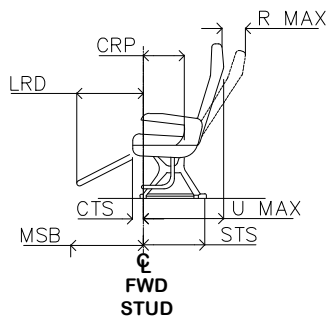
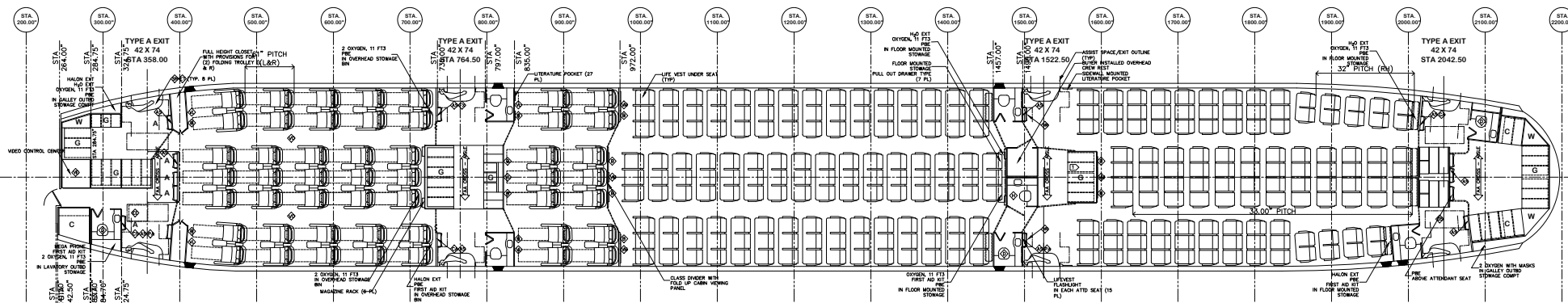


# BOEING 777-200

## LOPA

\*PROPERTY OF AIRO INDUSTRIES CO.



**CUSTOMER UNIQUE SEAT (BFE)**

- ⊠ ATTENDANT SWITCH PANEL
- ⊠ BASSINET FITTING
- ⊠ CACP (CABIN AREA CONTROL PANEL )
- ⊠ CSCP ( CABIN SYSTEM CONTROL PANEL )
- ⊠ DIAPER TABLE
- ⊠ E/E BAY ACCESS
- ⊠ EMERGENCY LOCATOR TRANSMITTER IN SLIDE/RAFT
- ⊠ FAX MACHINE
- ⊠ DISABLED PASSENGER FEATURES
- ⊠ OVERDOOR STORAGE BOX
- ⊠ PASSENGER ADDRESS DIRECT ACCESS
- ⊠ AUTOMATICALLY DEPLOYED ESCAPE SLIDE/RAFT SYSTEM WITH ILLUMINATION
- ⊠ VIDEO EQUIPMENT
- ⊠ VIDEO MONITOR – 15" WALL MOUNT LCD
- ⊠ VIDEO MONITOR – 9" WALL MOUNT LCD
- ⊠ VIDEO MONITOR – 15" OVERHEAD MOUNT LCD
- ⊠ VIDEO MONITOR – OVERDOOR MOUNT
- PLUGGED WINDOW WITH BLANK SIDEWALL PANEL
- A/C AIR CONDITIONING RISER DUCT
- \* ⊕ FWD SEAT STUD – IN LOCKED POSITION
- ATTENDANT HANDSET
- ⊠ GALLEY LOCATED OUTSIDE OF FLEX-ZONE

		B/C	E/C	E/C
		SIGMA	BE	SIGMA
			9ABR	10ABR
STS	STUD TO STUD	23.00	18.00	18.00
CRP	CUSHION REF. POINT	13.05	15.93	15.93
CTS	CUSHION TO STUD	12.67	1.80	1.80
	FRONT ROW	-	4.88	4.88
LRD	LEG REST DEPLOYED	39.00	-	-
MSB	MINIMUM SETBACK	CTR (CENTER)	44.00	23.00
	OTBD (OUTBOARD)	44.00	23.00	23.00
	DOOR BUSTLE	-	-	-
R MAX	RECLINE	-	5.12	5.12
U MAX	UPRIGHT SET BACK	31.01	23.38	23.38
	LAST ROW	30.71	-	-
	PITCH RANGE	60.00	31.00	31-33

1. UNLESS OTHERWISE SPECIFIED DIMENSIONS ARE IN INCHES. .XX = ±.030 .XXX = ±.010 ANGLES = ± 1/2	DRAWN	DATE
	CHECK	DATE
2. PART TO BE FREE OF BURRS AND SHARP EDGES 3. MARK PART PER ML-STD-130 4. MACHINED SURFACE FINISHES 126 RMS MAX.	ENGRG	DATE
		DATE

THIS DOCUMENT IS THE PROPERTY OF AIRO INDUSTRIES CO., AND IS PROVIDED ON THE EXPRESSED CONDITION THAT IT IS NOT TO BE DISCLOSED REPRODUCED IN WHOLE OR IN PART, OR USED FOR MANUFACTURE BY ANYONE OTHER THAN AIRO INDUSTRIES WITHOUT ITS WRITTEN CONSENT. AND THAT NO RIGHTS PERMITTED TO DISCLOSED OR SO USE ANY INFORMATION CONTAINED IN THIS DOCUMENT.



429 JESSIE STREET, SAN FERNANDO, CA 91340

**B777-200 LOPA**

SIZE	DWG NO.	REV.
A	AC777200	N/C
SCALE NONE		SHEET 1 OF 1